

cladding



The Cladding available in a 125mm or 150mm depth is for exterior use and will give an excellent appearance to any project as well as practical weather protection for the property.

Eurocell's **Shiplap Cladding** is designed with an extended tongue and groove leg which helps make for neat and smart installations.

The planks are complimented by a selection of dedicated trims which complete the Cladding system.



Always start the installation at the base creating a level situation before fitting a starter trim.



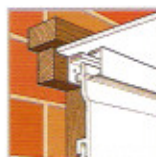
Two-part Edge Trim to finish a cladding cut back on its length to accept the expansion of the board



Two-part Angle Trim for both internal and external corners.



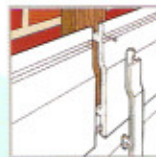
Drip Trim positioned on top of a window frame to stop ingress of water.



Two-part Edge Trim to finish off the last Plank.

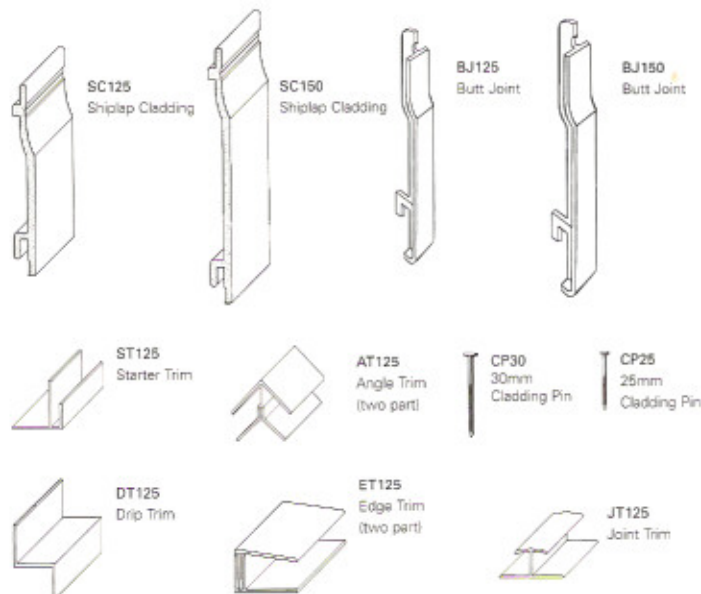


Joint Trim



Butt Joint Trim. If used as an alternative to the Joint Trim they should be staggered and fitted where a batten is located.

Shiplap cladding & finishing trims



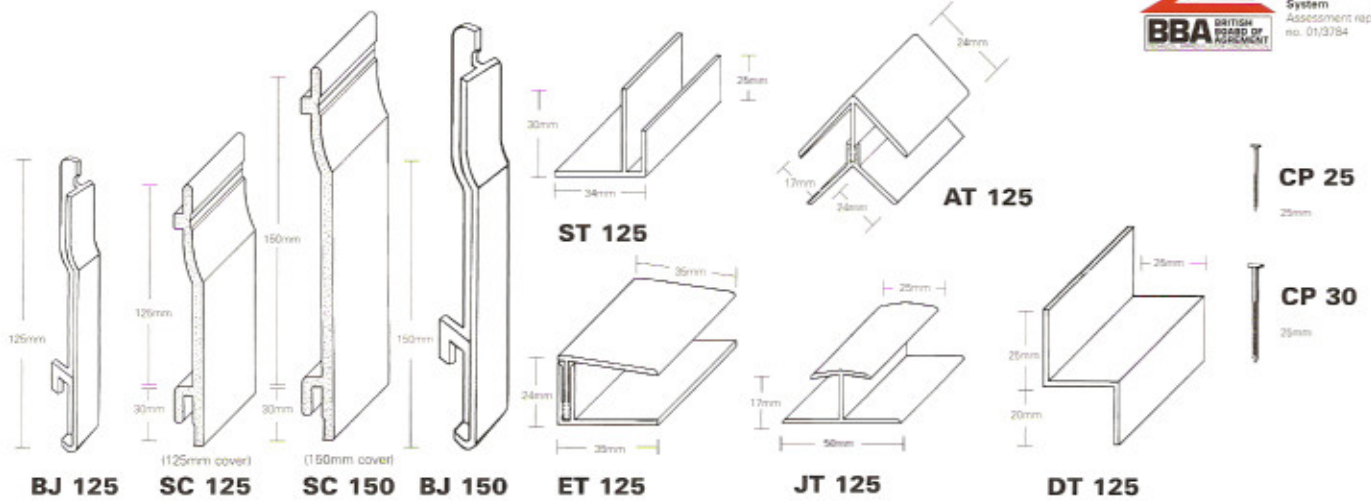
Assessment report number 01/3784.
The Eurocell cladding system.

Cladding

SHIPLAP CLADDING & FINISHING TRIMS

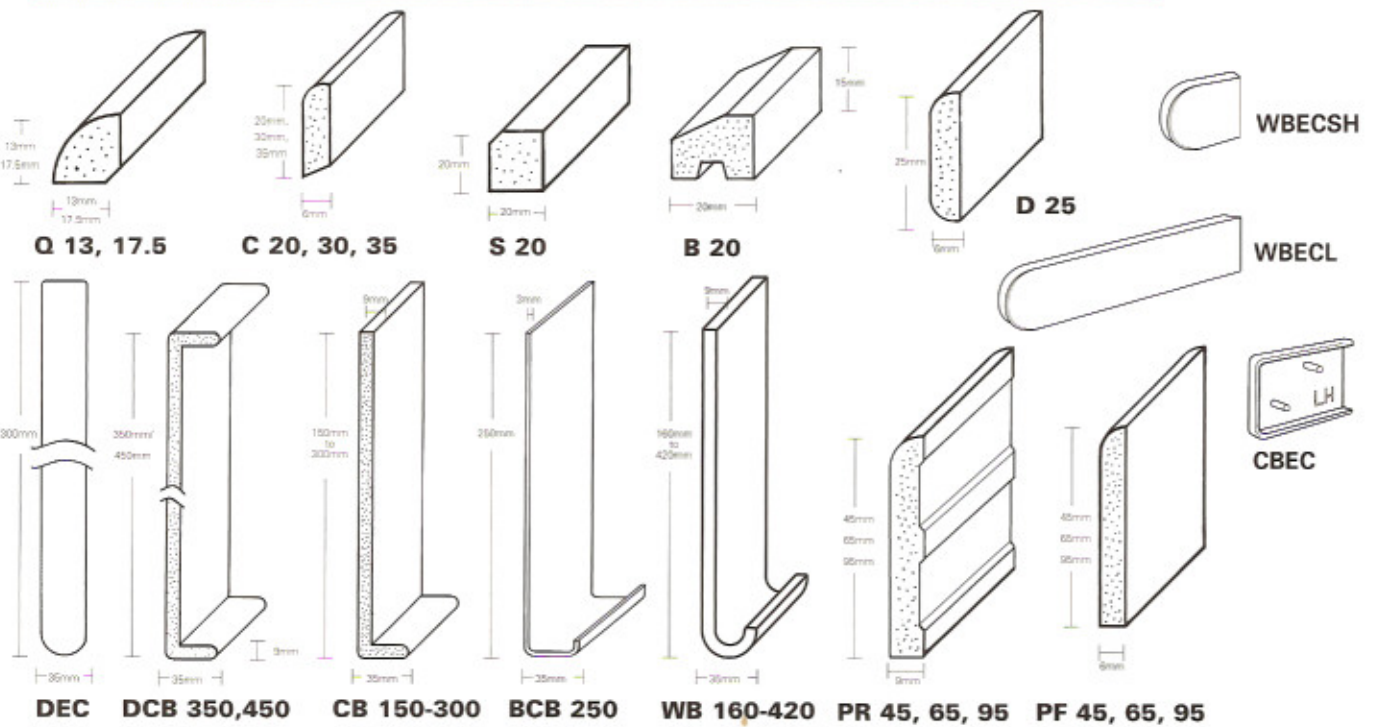


BBA Approval on the Eurocell Cladding System
Assessment report no. 01/3784



Window finishing trims

ARCHITRAVE, SKIRTING, CAPPING BOARD, WINDOW BOARD, END CAPS



CILLS & RIGID TRIMS

